

SLDCV - 77 is Disc check valve in stainless steel (CF 8M) construction, suitable for wide range of fluids like liquid, steam, gas in process application



UNIQUE FEATURES

- Compact design
- Light weight

INSTALLATION

- Disk check valve must be fitted between flanges as per flow direction indicated on body.
- Have to ensure proper fitment of gaskets between body & flanges.
- Ensure proper flushing of line before installation.
- Not to use on line with heavy pulsating flow.

SIZE

15 NB, 20 NB, 25NB, 40 NB, 50 NB,
80 NB, 100 NB

PIPE CONNECTIONS

Sandwiched Flanged : between two flanges
ASA 150, or ASA 300

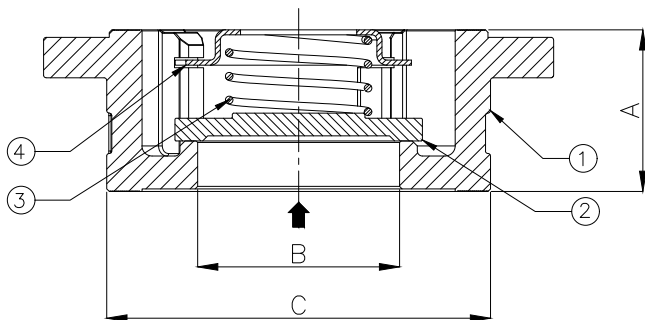
DESIGN CONDITIONS

- Suitable for ASA 300
- Max. allowable pressure (PMA) - 49.6 bar (g) 38°C
Max. allowable temp (TMA) - 425°C at 29.1 bar (g)

CERTIFICATION

IBR approval / En10204 - 3.1

CONSTRUCTION



PART LIST

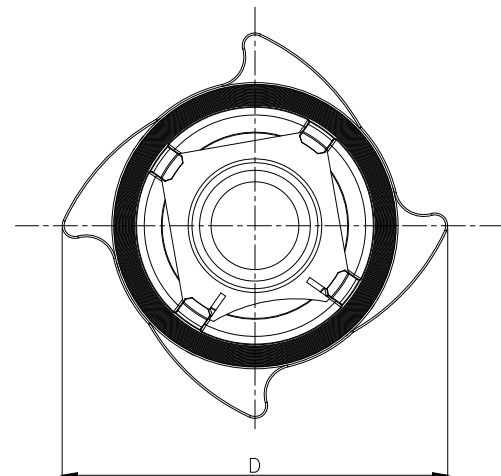
No.	Part Name	Material	Qty
1	Body	ASTM A 351 Gr. CF 8 M	1
2	Disc	AISI 316	1
3	Spring	AISI 316	1
4	Spring Re	AISI 304	1

HOW TO ORDER

- Ex. SLDCV77, stainless steel disc check valve, 15NB, IBR

DIMENSIONS

Flanged connection



SLDCV - 77	A	B	C	D	Wt.
15 NB	18	15	40	54	0.13 Kg
20 NB	20	20	46	69	0.17 Kg
25 NB	23.5	25	55	85	0.35 Kg
40 NB	32	40	76	101	0.66 Kg
50 NB	42	48	94	115	1.25 Kg
80 NB	50	80	126	155	2.10 Kg
100 NB	61	100	148	184	3.60 Kg

SPARE PARTS

- Disc check valves are non-maintainable, hence no spares are available.

Steamlok Engineering Pvt. Ltd.

Gat No: 200/2, Mahalunge, Tal-Khed, Pune - 410501

Email: sales@steamequipments.com / sales@steamlokengg.com • Website : www.steamequipments.com / www.steamlokengg.com

STEAM SOLUTION GROUP